

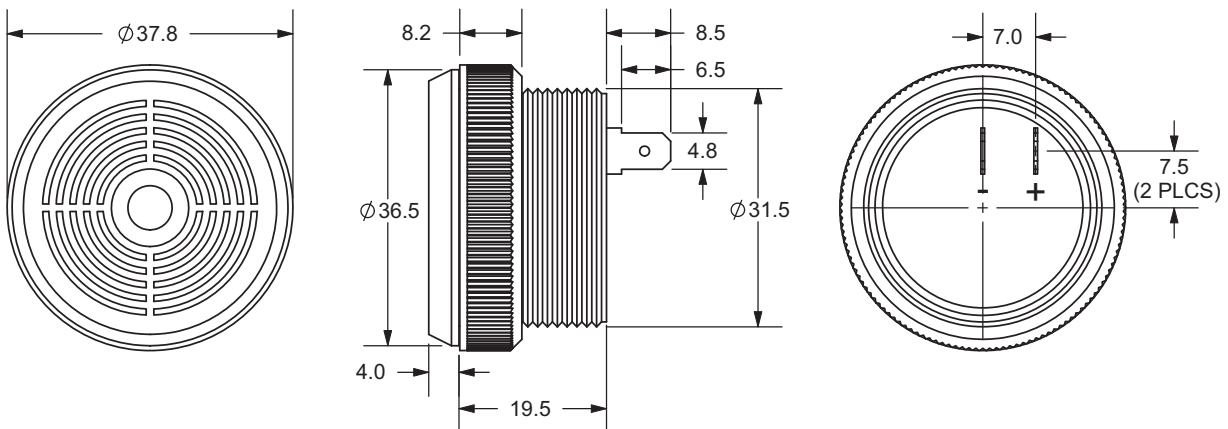
PART NUMBER: CPE-751

DESCRIPTION: panel mount piezo indicators

SPECIFICATONS

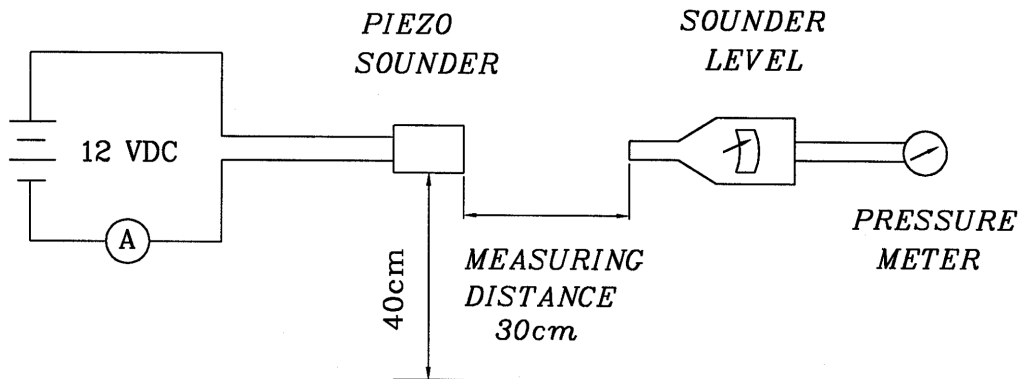
| | | |
|-------------------------|---------------------------|------------------|
| operating frequency | 3.6 ± 0.5 KHz | |
| operating voltage range | 6 ~ 28 V DC | |
| current consumption | 9 mA max. | at 12 V DC |
| sound pressure level | 76 db min. | at 30 cm/12 V DC |
| rated voltage | 12 V DC | |
| tone | fast pulse (3.0 ± 0.6 Hz) | at 12 V DC |
| operating temperature | -30 ~ +80° C | |
| storage temperature | -40 ~ +80° C | |
| dimensions | Ø37.8 x H23.5 mm | |
| weight | 18.5 g max. | |
| material | ABS UL-94 1/16" HB (gray) | |
| terminal | pin type (Sn plating) | |
| RoHS | yes | |

APPEARANCE DRAWING

 tolerance: ±0.5
 units: mm


PART NUMBER: CPE-751

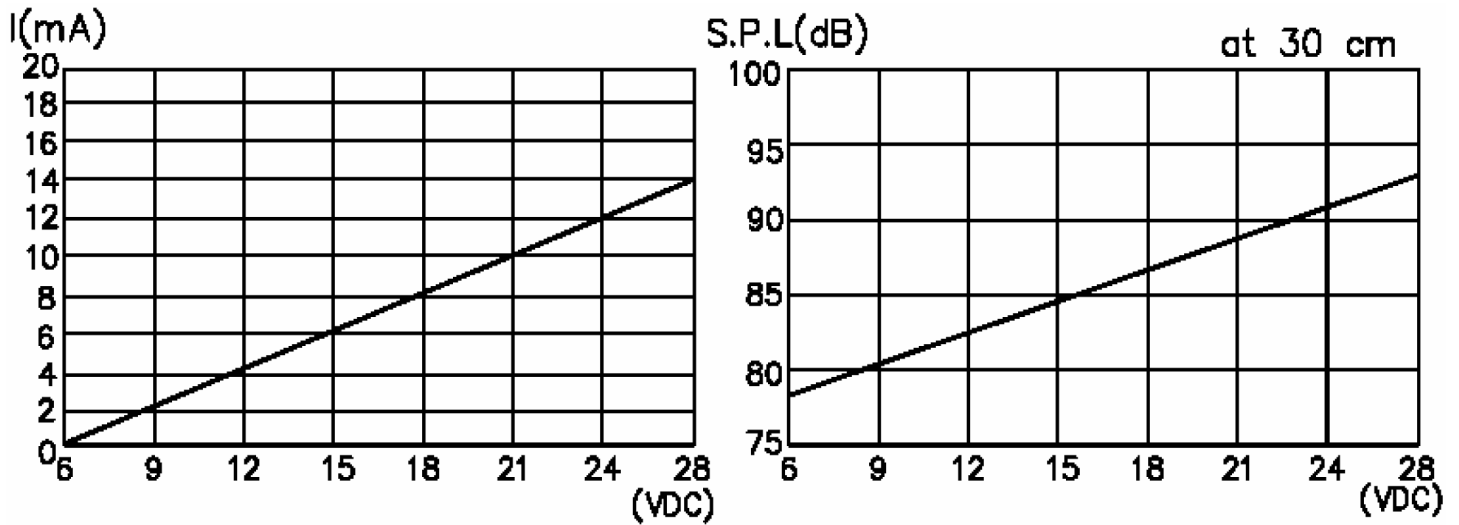
DESCRIPTION: panel mount piezo indicators

MEASUREMENT METHOD


S.P.L. Measuring Circuit

Mic: RION S.P.L. meter UC30 or equivalent

S.G.: Hewlett Packard 33120A function generator or equivalent

CURRENT CONSUMPTION/SOUND PRESSURE LEVEL


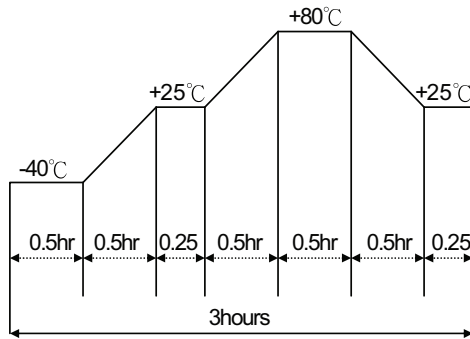
PART NUMBER: CPE-751

DESCRIPTION: panel mount piezo indicators

MECHANICAL CHARACTERISTICS

| item | test condition | evaluation standard |
|------------------------------|---|--|
| solderability | Lead terminals are immersed in rosin for 5 seconds and then immersed in solder bath of $270 \pm 5^{\circ}\text{C}$ for 3 ± 1 seconds. | 90% min. of the lead terminals will be wet with solder (except the edge of the terminal). |
| soldering heat resistance | Lead terminals are immersed up to 1.5mm from buzzer's body in solder bath of $300 \pm 5^{\circ}\text{C}$ for 3 ± 0.5 seconds or $260 \pm 5^{\circ}\text{C}$ for 10 ± 1 seconds. | No interference in operation. |
| terminal mechanical strength | For 10 seconds, the force of 9.8N (1.0kg) is applied to each terminal in axial direction. | No damage or cutting off. |
| vibration | The buzzer shall be measured after applying a vibration amplitude of 1.5 mm with 10 to 55 Hz band of vibration frequency to each of the 3 perpendicular directions for 2 hours. | The value of oscillation frequency/current consumption should be $\pm 10\%$ of the initial measurements. The SPL should be within $\pm 10\text{dB}$ compared with the initial measurement. |
| drop test | The part will be dropped from a height of 75 cm onto a 40 mm thick wooden board 3 times in 3 axes (X, Y, Z) for a total of 9 drops. | |

ENVIRONMENT TEST

| item | test condition | evaluation standard |
|------------------|---|---|
| high temp. test | After being placed in a chamber at $+80^{\circ}\text{C}$ for 240 hours. | The buzzer will be measured after being placed at $+25^{\circ}\text{C}$ for 4 hours. The value of the oscillation frequency/current consumption should be $\pm 10\%$ compared to the initial measurements. The SPL should be within $\pm 10\text{dB}$ compared to the initial measurements. |
| low temp. test | After being placed in a chamber at -40°C for 240 hours. | |
| humidity test | After being placed in a chamber at $+40^{\circ}\text{C}$ and $90 \pm 5\%$ relative humidity for 240 hours. | |
| temp. cycle test | The part shall be subjected to 5 cycles. One cycle will consist of:  | |

PART NUMBER: CPE-751**DESCRIPTION:** panel mount piezo indicators

RELIABILITY TEST

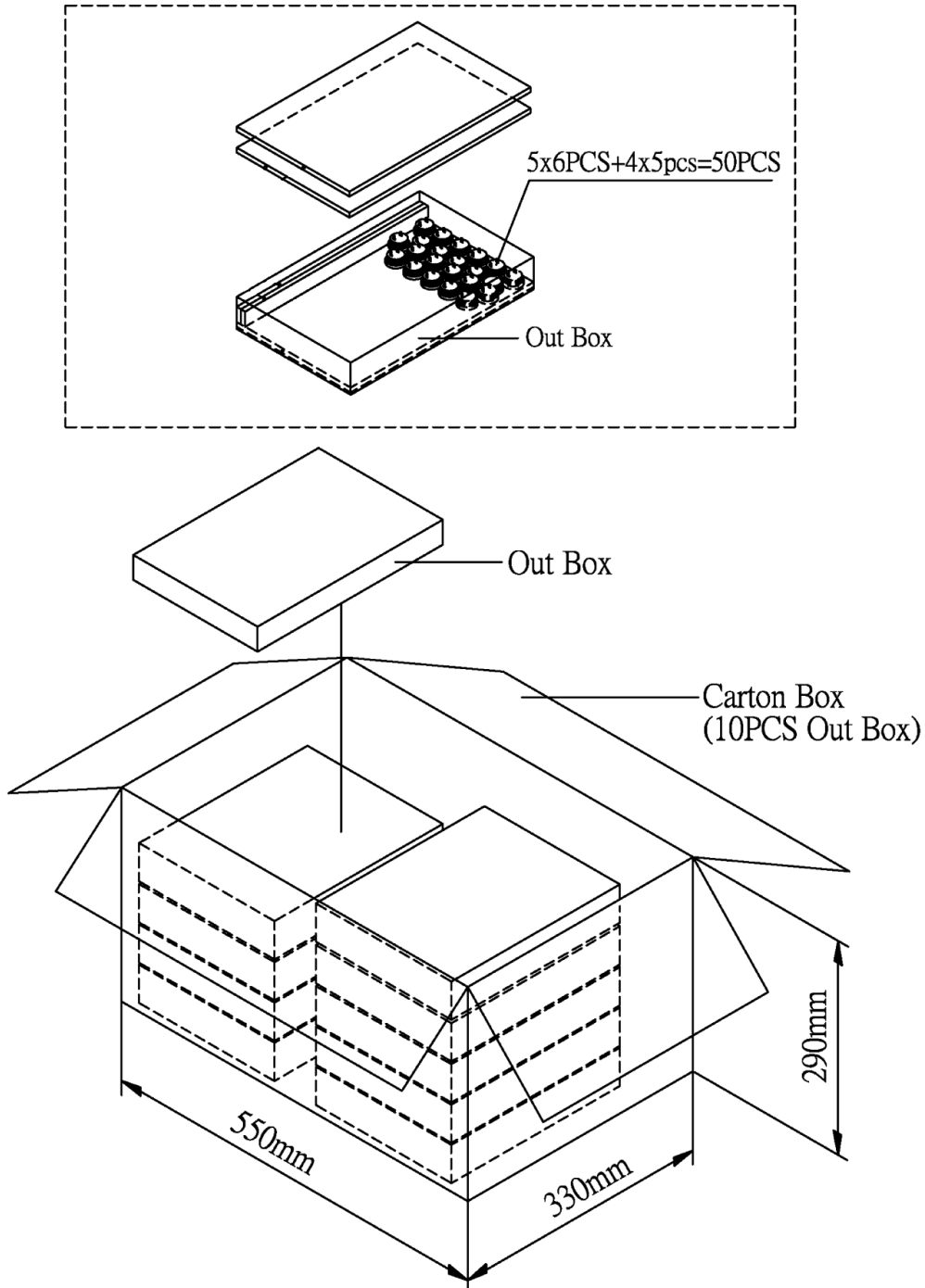
| item | test condition | evaluation standard |
|-----------------------|---|---|
| operating (life test) | 1. Continuous life test: The part will be subjected to 48 hours of continuous operation at +65°C with rated voltage applied. 2. Intermittent life test: A duty cycle of 1 minute on, 1 minutes off, a minimum of 5,000 times at room temp (+25 ±2°C) with rated voltage applied. | The buzzer will be measured after being placed at +25°C for 4 hours. The value of the oscillation frequency/current consumption should be ±10% compared to the initial measurements. The SPL should be within ±10dB compared to the initial measurements. |

TEST CONDITIONS

| | | | |
|--------------------------|----------------------------|-----------------------|----------------------------|
| standard test condition | a) temperature: +5 ~ +35°C | b) humidity: 45 - 85% | c) pressure: 860-1060 mbar |
| judgement test condition | a) temperature: +25 ±2°C | b) humidity: 60 - 70% | c) pressure: 860-1060 mbar |

PART NUMBER: CPE-751

DESCRIPTION: panel mount piezo indicators

PACKAGING


| | | |
|------------|-------------------|-----------------|
| Out Box | 310mmx248mmx49mm | 1x50PCS=50PCS |
| Carton Box | 550mmx330mmx290mm | 50PCSx10=500PCS |